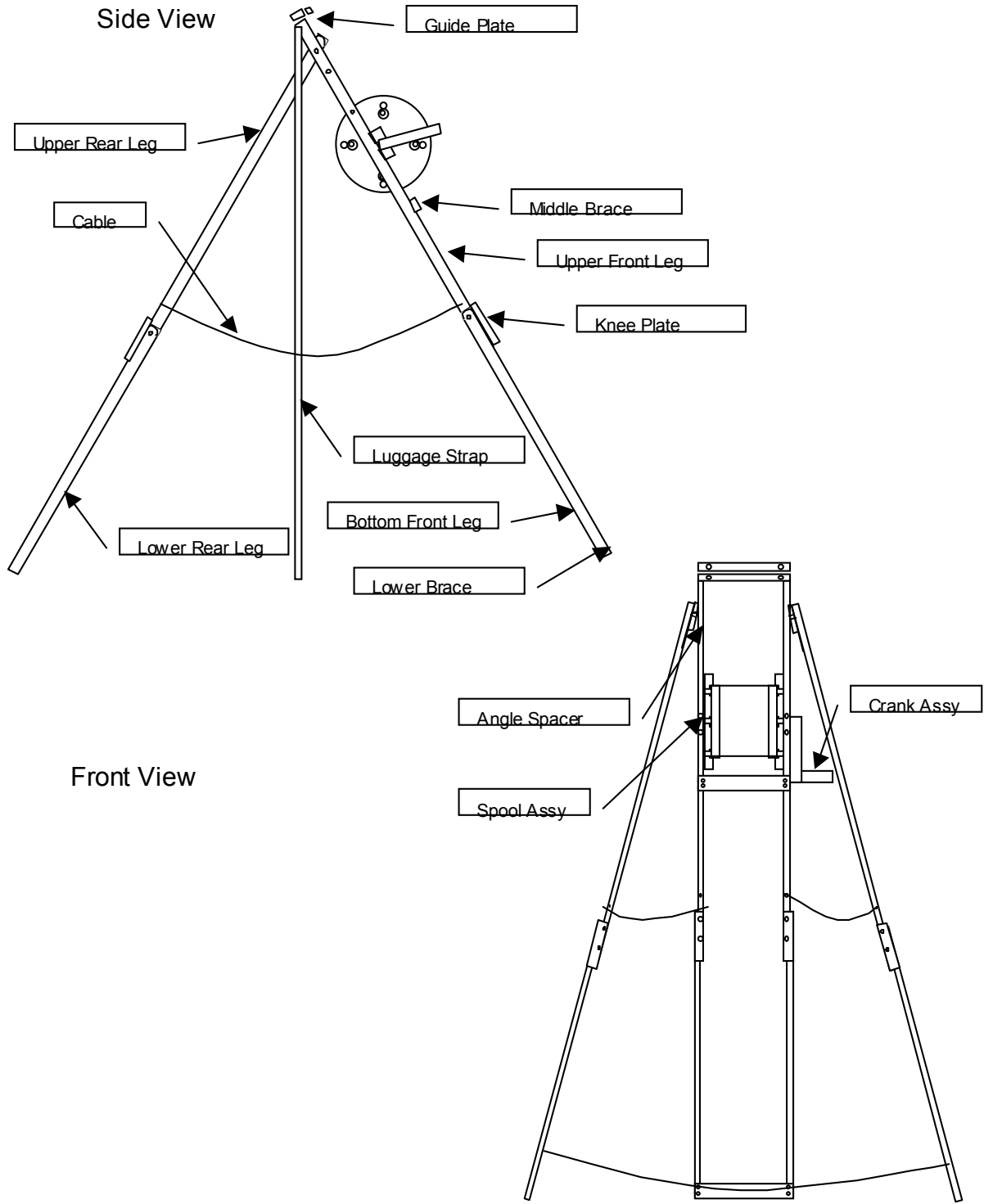
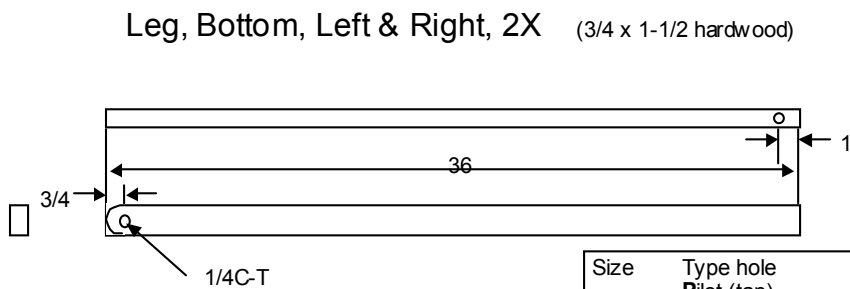
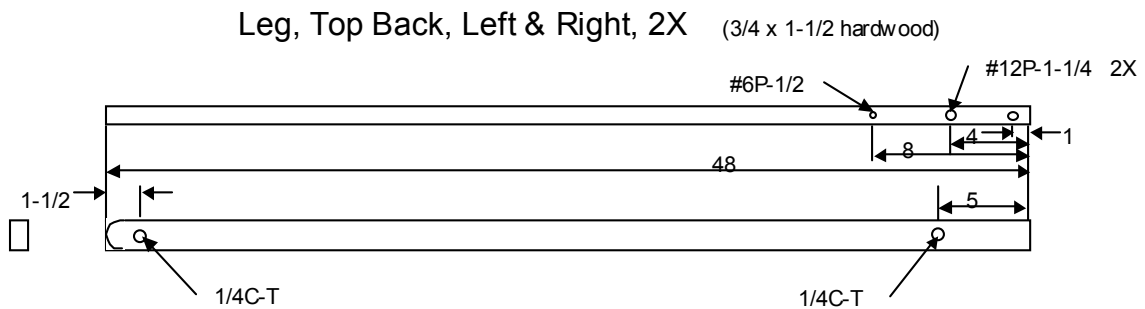
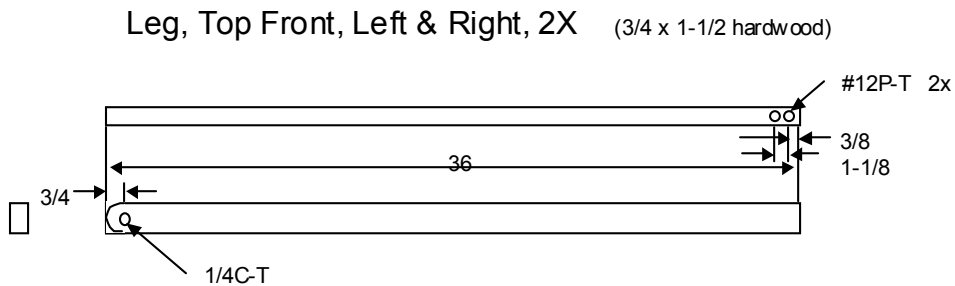
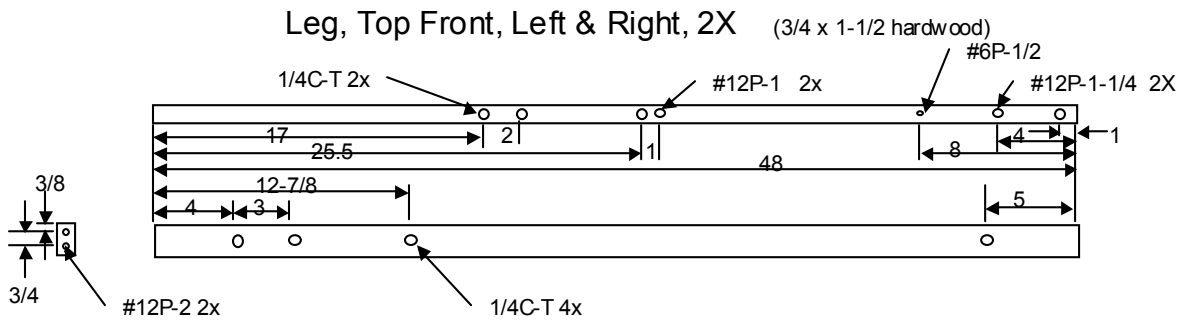


Line Winder Assembly



Line Winder

Leg Details



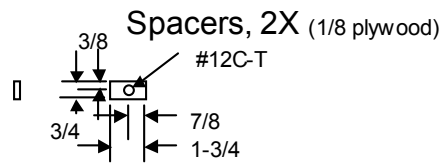
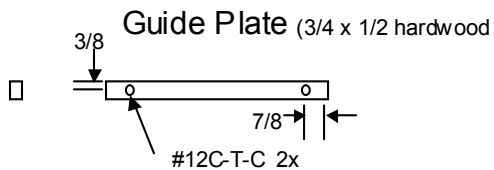
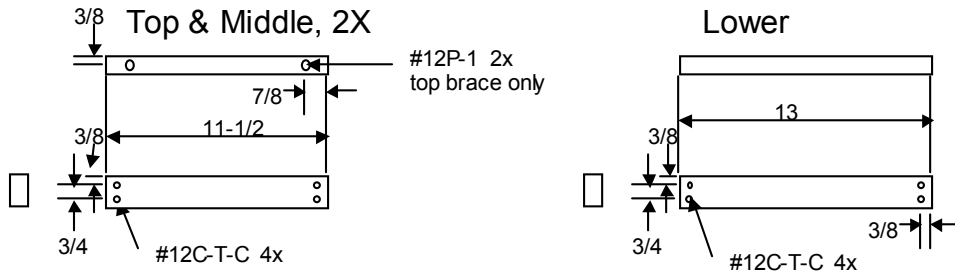
Size	Type hole Pilot (tap)	Clearance
5/16	-	5/16
1/4	-	1/4
#12	11/64	7/32
#8	7/64	-
#6	-	9/64

#12P-T-C Size-Type-depth-countersink
pilot hole for #12 woodscrew, all the way
through and countersunk.

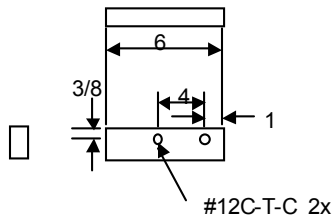
Line Winder

Braces, knees, & spacers Details

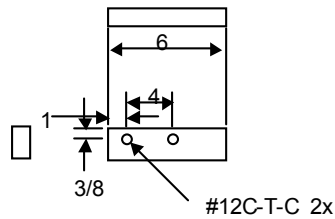
Braces (3/4 x 1-1/2 hardwood)



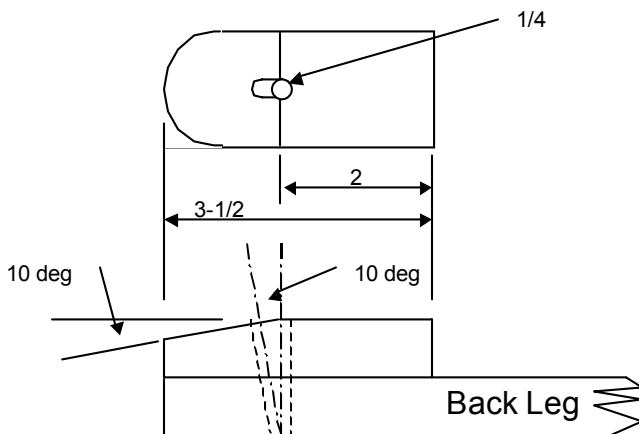
Knee Plate, 2X (3/4 x 1-1/2 hardwood)



Knee Plate, 2X (3/4 x 1-1/2 hardwood)



Back Leg Angle Spacer, 2X (3/4 x 1-1/2 hardwood)

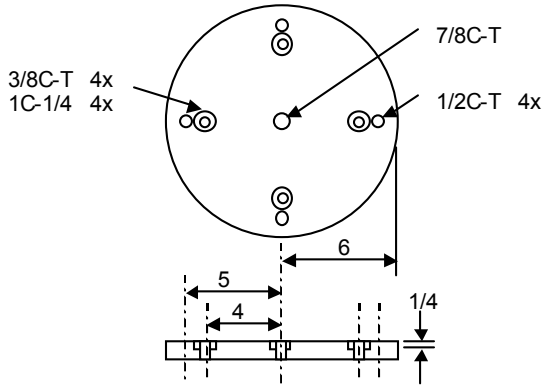


Line Winder

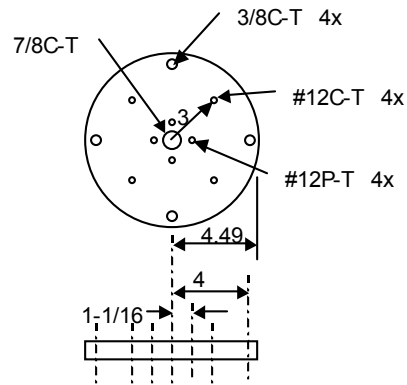
Spool Details

Outer Wheel

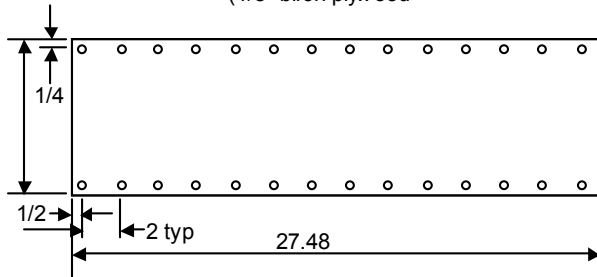
(3/4 plyw ood)



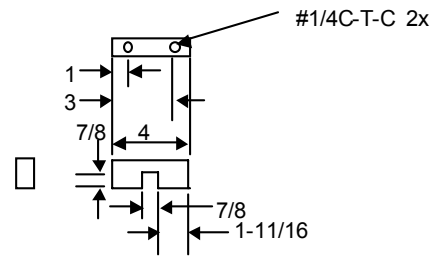
Inner Wheel



Pillow Block, 2X (1/8" birch plywood)



Pillow Block, 2X (3/4 x 1-1/2 hardwood)



Brake (1/8" hard aluminum bar)

Line Winder

Bill of Materials

4	Carriage bolt, 1/4 -20 x 3 1/2
5	Carriage bolt, 1/4 -20 x 2
4	Carriage bolt, 5/16 -18 x 9
10	Fender washer, 1/4 x 1 1/4
4	Flat washer, 1/4 x 5/8
6	Forged washer, 7/8 x 2 1/4 x 1/8 thick
8	Nuts, nylon insert, 1/4 - 20
2	Fluted knob nuts, 1/4 - 20
4	t-nuts (brad lock), 5/16 - 18
1	Eyebolt w/nut, 1/4 - 20
5	Nuts, 1/4 - 20
6	Nylon clamp, 1/4"
6	Wood Screws, RH, #6 x 1/2
2	Pipe Cap – galv, 1/2"
2	Elbow – galv, 1/2"
2	Wall Mount – galv, 1/2"
4	Pipe Nipples – galv: 5, 7 1/2, 4, 3 1/2
2	Velcro Cinch Straps, 18"
4	Wood screw, FH, #12 x 2 1/2
2	Wood screw, FH, #12 x 1 1/2
16	Wood screw, FH, #12 x 2
1	Threaded rod, 1/4 -20 x 15 1/2
10ft	Aircraft cable, 1/16"
6	Aluminum ferrules, 1/16"
1	luggage strap, 8 ft
24	woodscrew, FH, #6 x 1/2
1	Plywood, birch, 1/8"
5	Hardwood, 3/4 x 1 1/2 x 48
4	Hardwood, 3/4 x 1 1/2 x 36
2	Plywood rounds, 3/4 x 11 3/4
2	Plywood rounds, 3/4 x 8.9" dia
16	Wood screw, FH, #12 x 1 1/4